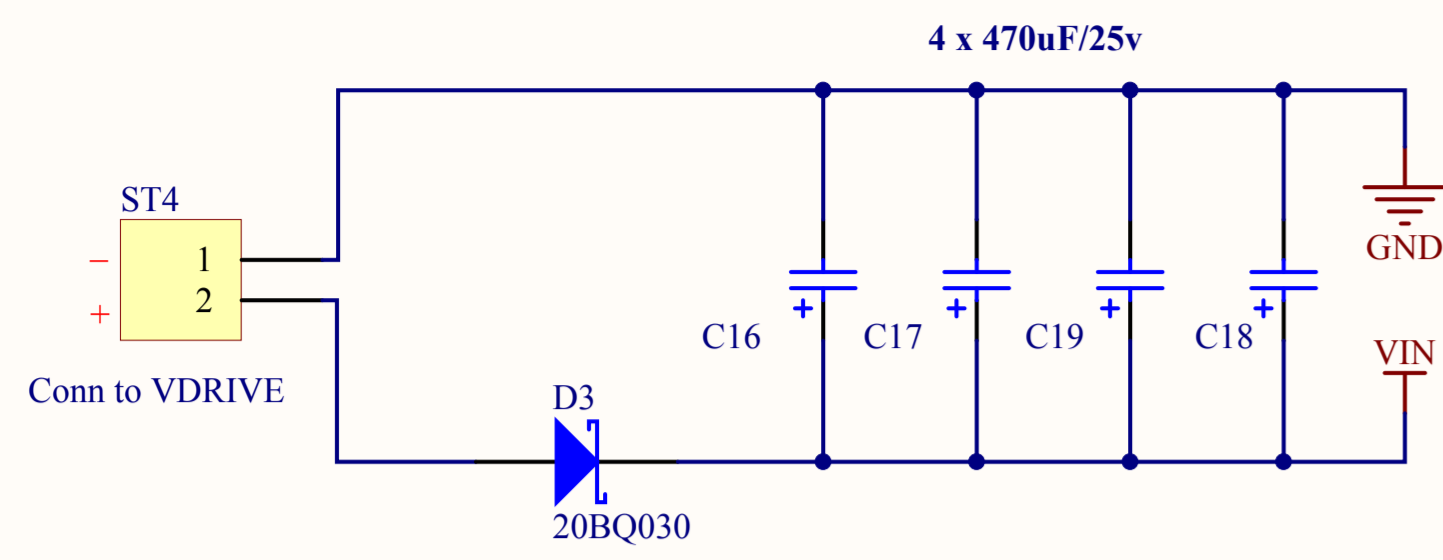
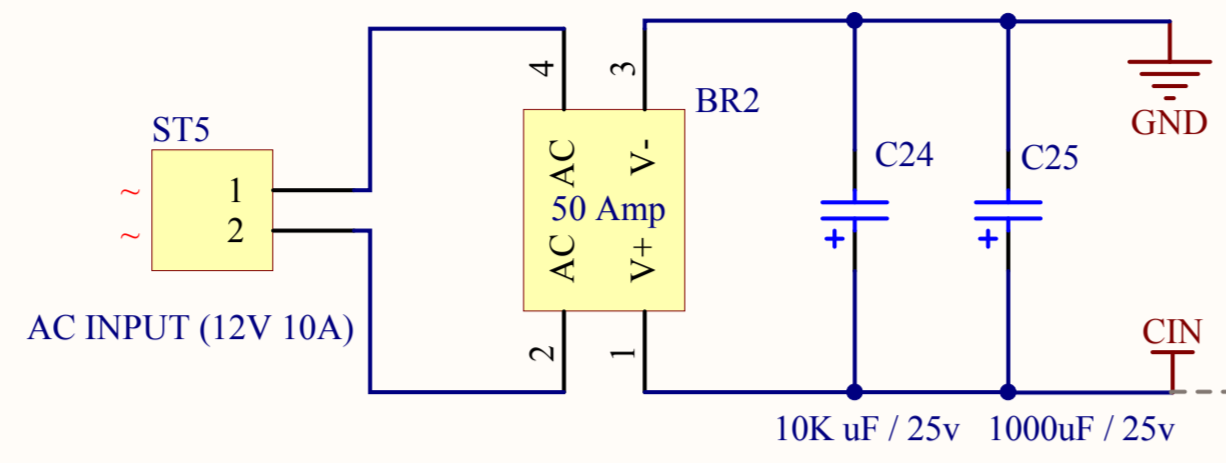


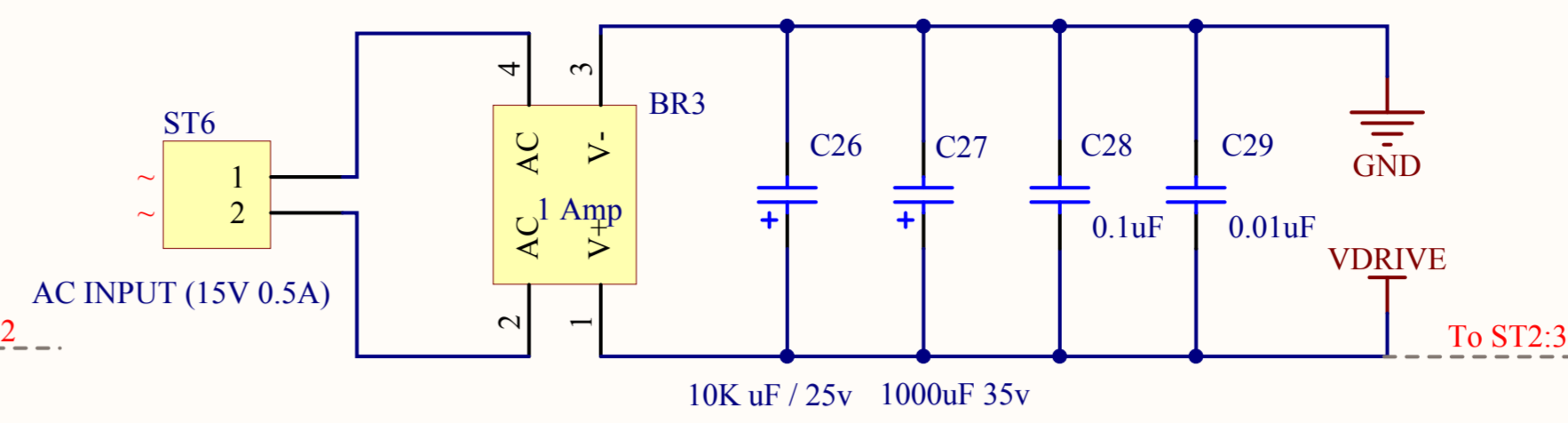
Bridge / Rectifying stage (Logic)



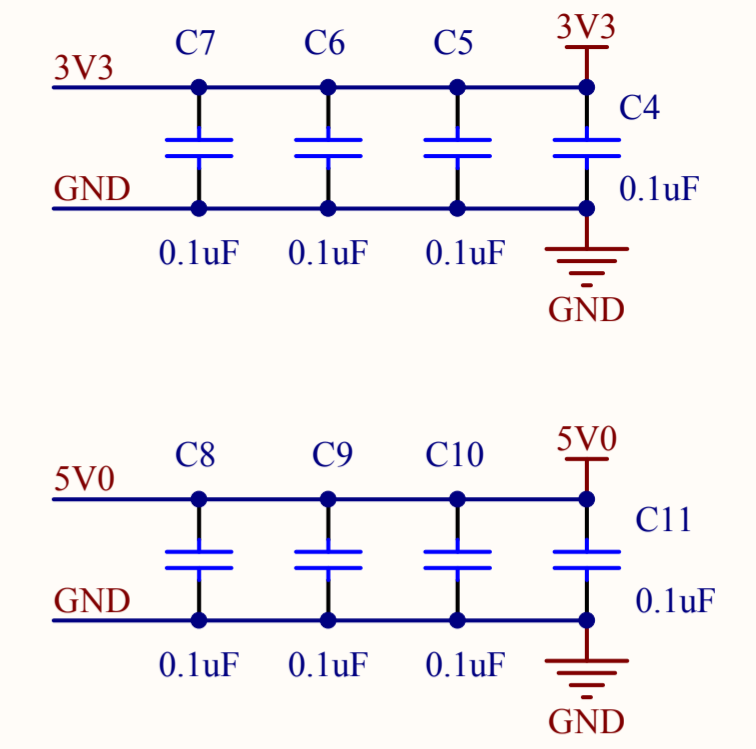
Bridge / Rectifying stage (Cap Charge)



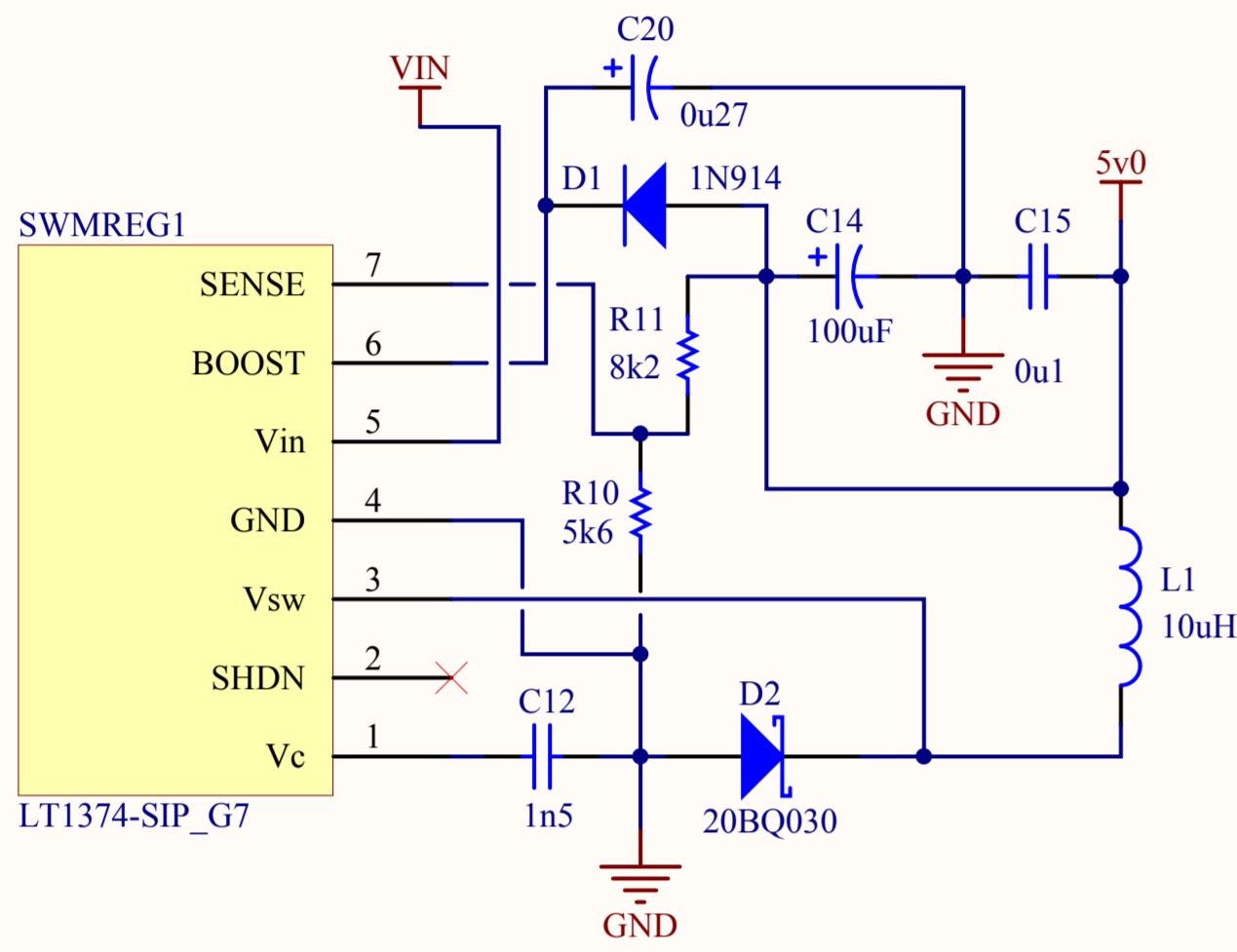
Bridge / Rectifying stage (Gate Drive)



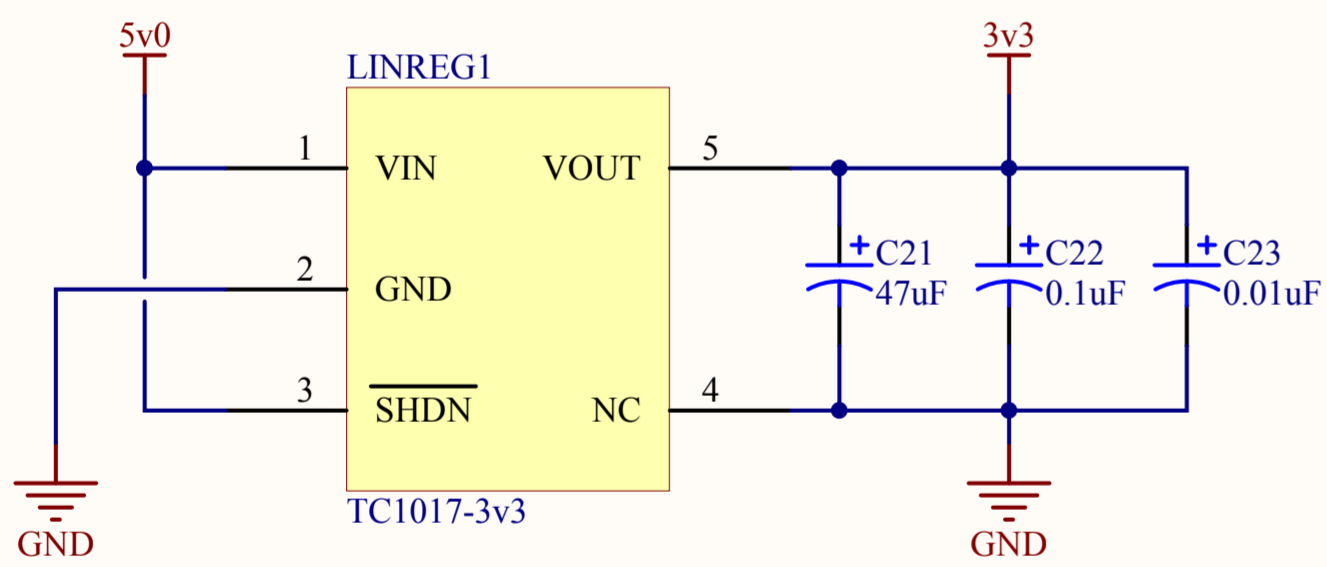
Decoupling caps



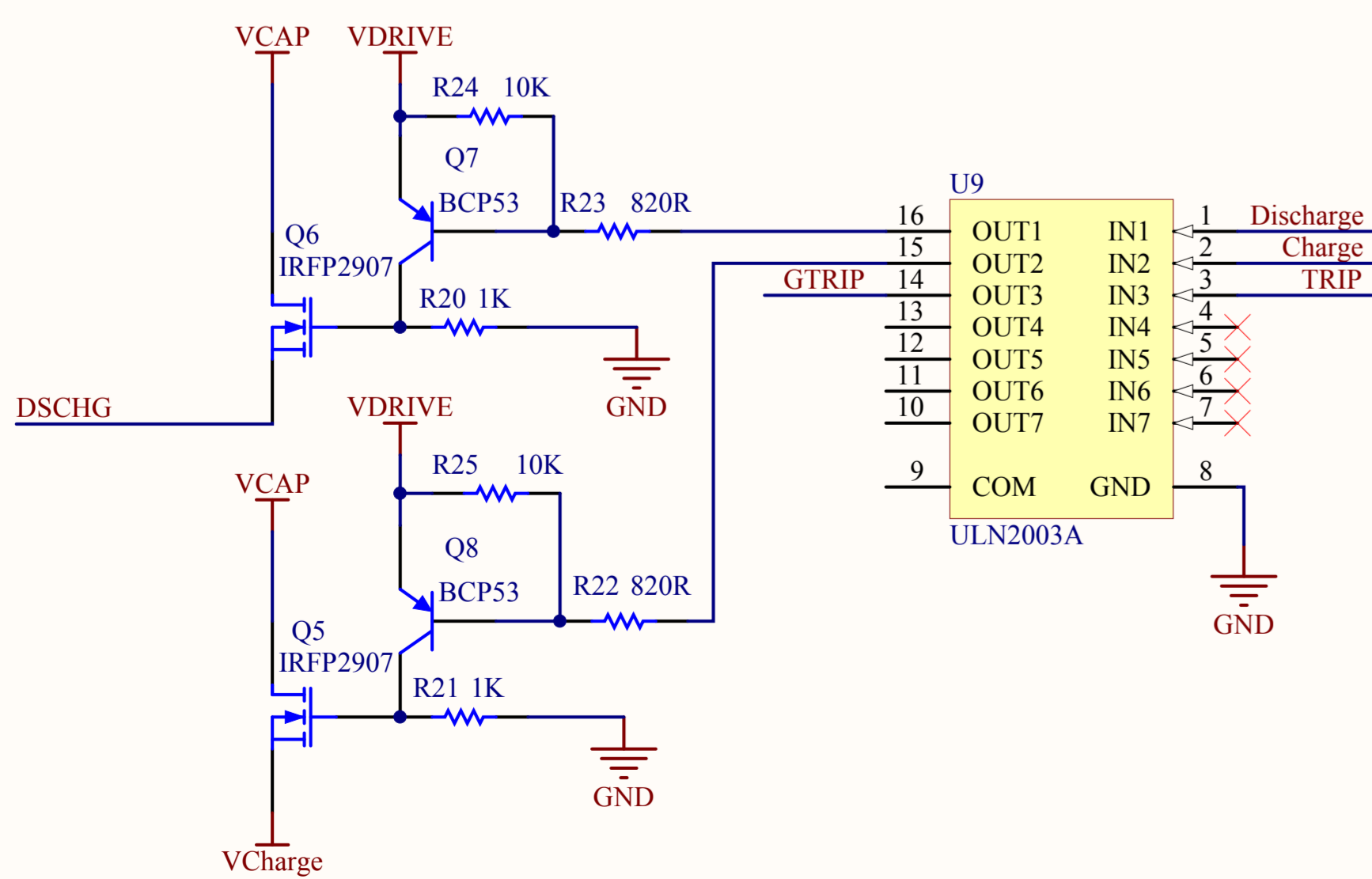
Switchmode Regulator (5v)



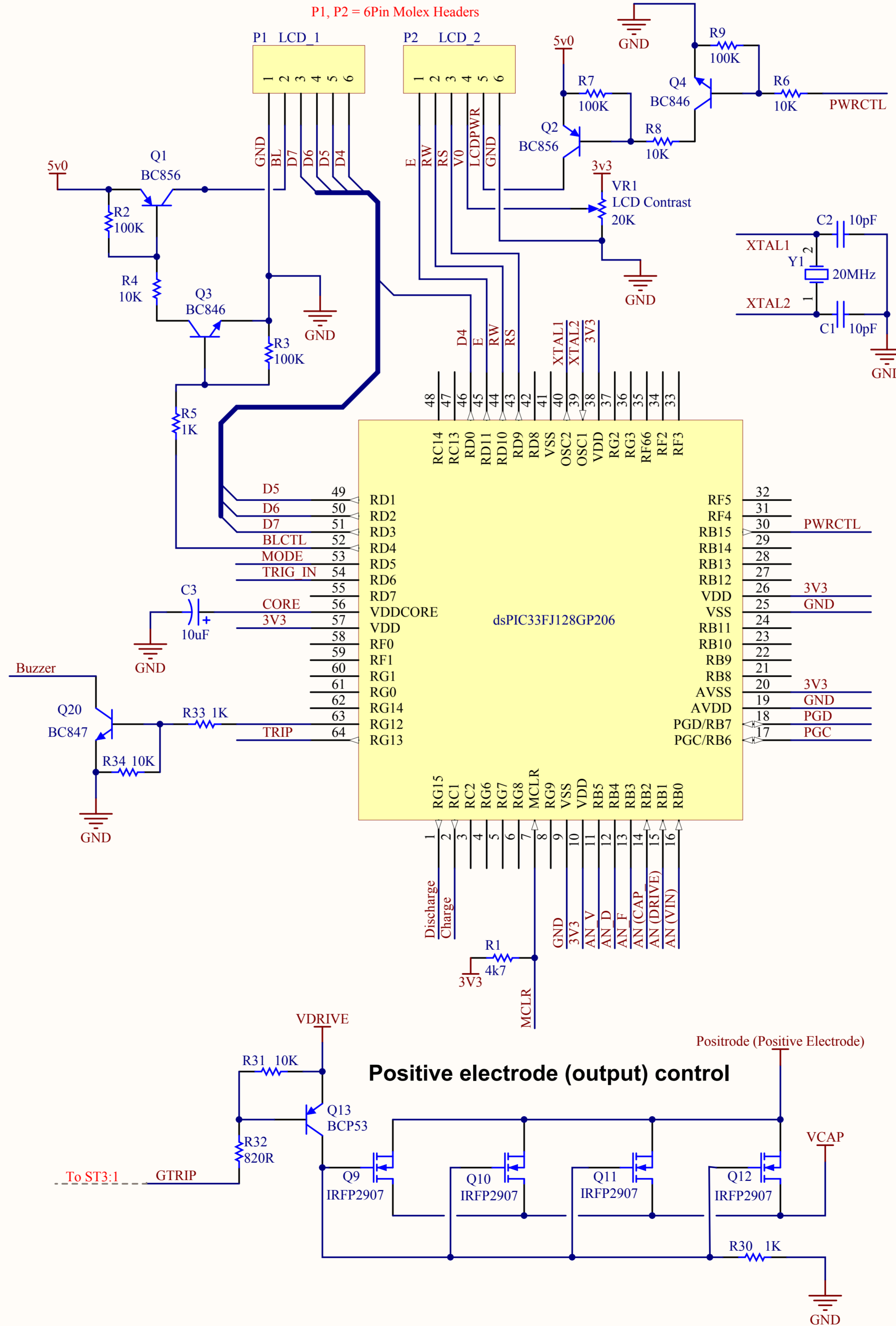
Linear Regulator (3v3)



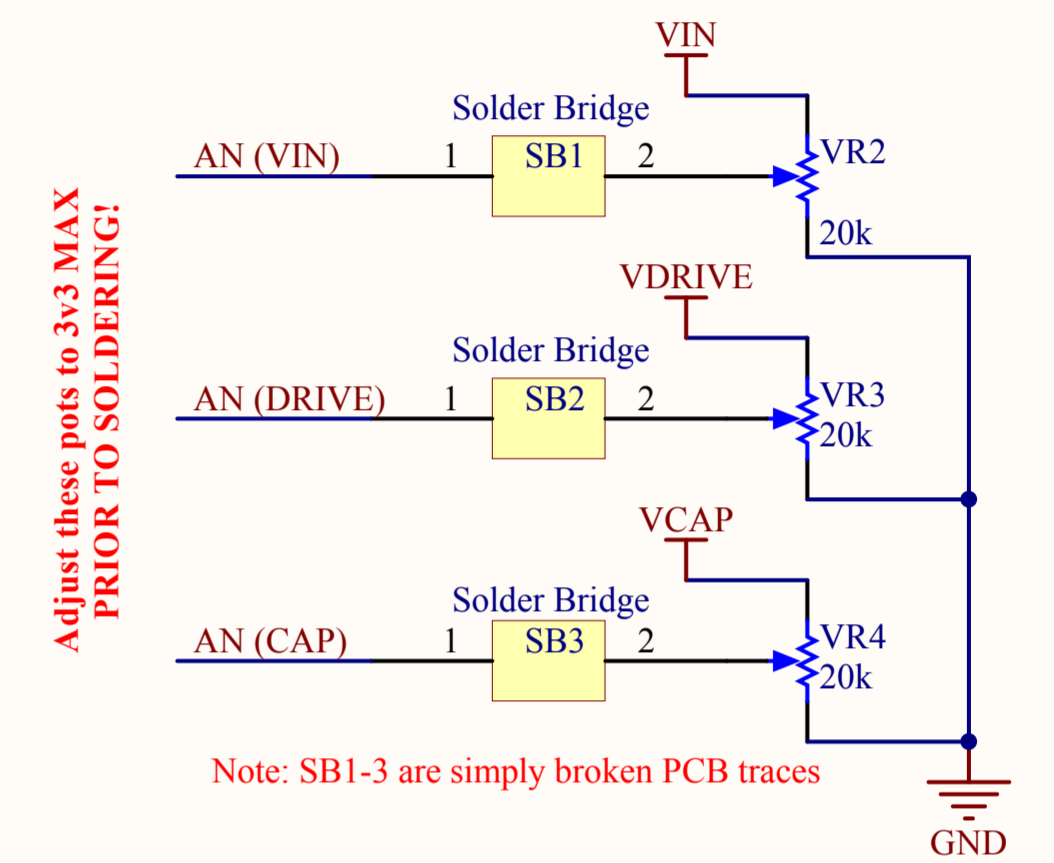
Charge / Discharge control



LCD Driver & Main Controller



Analog voltage adjust



Input / Output headers

